

### Features

- Made from Sani-Q (Composite Quartz)
- Antibacterial Protection
- Above the counter
- 545 x 415 x 130 mm

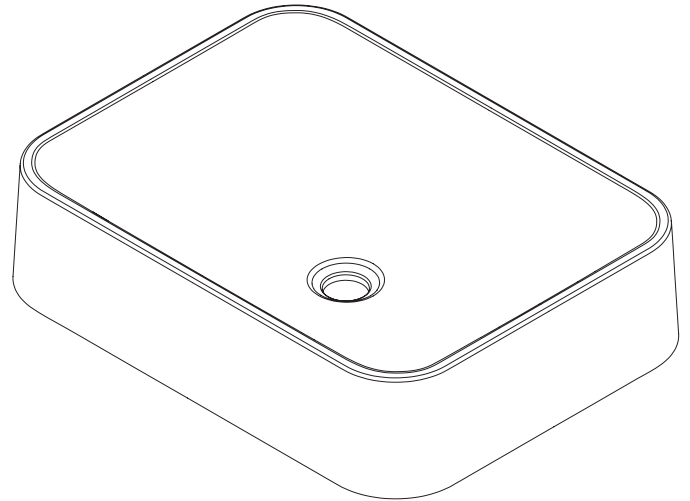
### Technical Information

Fixture

Basin area: 504 x 377 mm

Water depth: 103 mm

Drain hole: ø 43 mm

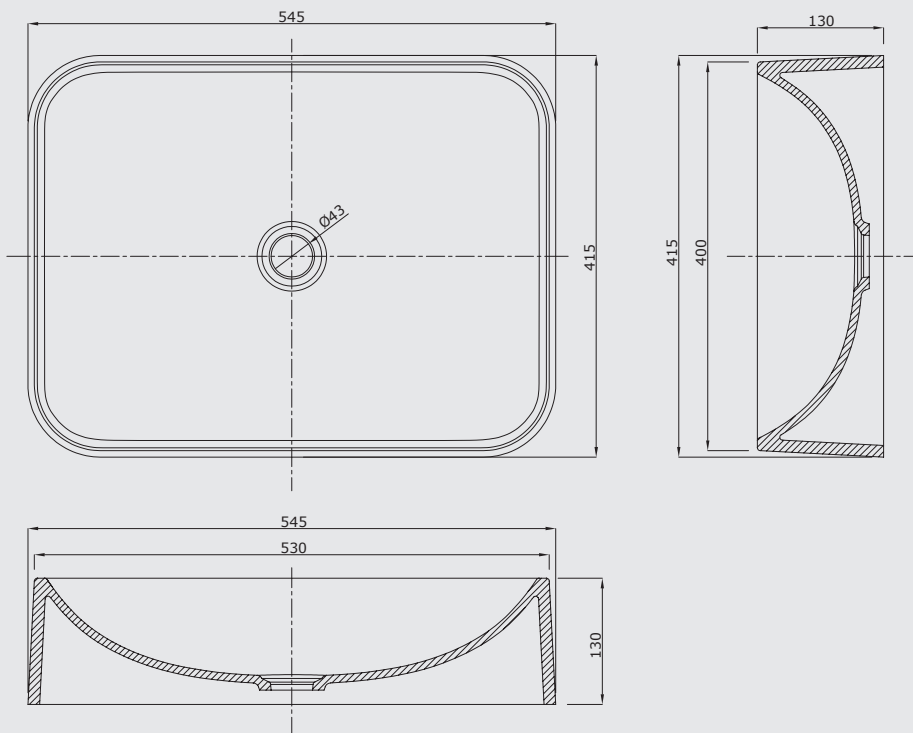


### Colors / Finishes

- White or Black
- Glossy

### Specified Model

| Model    | Description                | Color | Finish |
|----------|----------------------------|-------|--------|
| SRWHGG01 | Washbasin without overflow | White | Glossy |
| SRBLGG01 | Washbasin without overflow | Black | Glossy |



\*Unit of measurements: mm

### Installation notes

- It is recommended that the installation of the product is done by a professional plumber.
- Before installation, remove your new washbasin and carefully inspect it for damage. Return the washbasin to its packaging until you are ready to install it.
- All washbasins do not have an overflow and may require a specific type of drain. The nut on the drain pipe will secure the washbasin to the drain hole (Ø43 mm) in the countertop.
- Product rests on countertop. Consider height when designing installation. The countertop must be flat. You may want to use a bead of clear silicone to seal in-between the outside edge of the washbasin where it is mounted to the countertop.
- Choose a faucet that will provide adequate clearance. We recommend the use of Sternhagen faucets.

### CARE INSTRUCTIONS

To keep your washbasin looking new, please follow these simple care instructions:

- Routine cleaning of the Sani-Q washbasin will reduce the need for heavy cleaning and polishing.
- Never use strong / abrasive cleaner. Clean your Sani-Q washbasin with water and a soft, clean cloth. Do not use abrasive detergents or cleaning pads, which can damage the surface of the washbasin.
- For a long durability we recommend the use of the "Sani-Q Cleaning Kit" which comes with 3 different cleansers (1 Stain-remover, 1 Descaler and 1 Easy-care) and one Magic Eraser. It is available with your Sternhagen supplier.